

SRS MapCHECK™

SRS Patient QA, No Film

The SRS MapCHECK can take the place of film for small-field dosimetry, in support of patient-specific QA. It was designed to insert into the StereoPHAN™, Sun Nuclear's solution for stereotactic commissioning and end-to-end testing. These simple and powerful tools ease testing on all parts of the process.

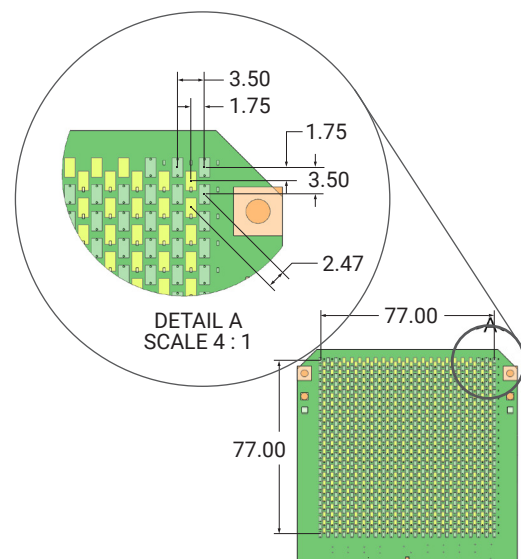


Features & Benefits

- Replaces film for patient-specific QA and end-to-end testing
 - Provides absolute and relative dose in a single measurement
- Works with static, rotational, FFF, cone and MLC fields
- When used with StereoPHAN, supports irradiation from any gantry angle
- Integration
 - Designed to insert into the StereoPHAN
 - Runs on SNC Patient™ software

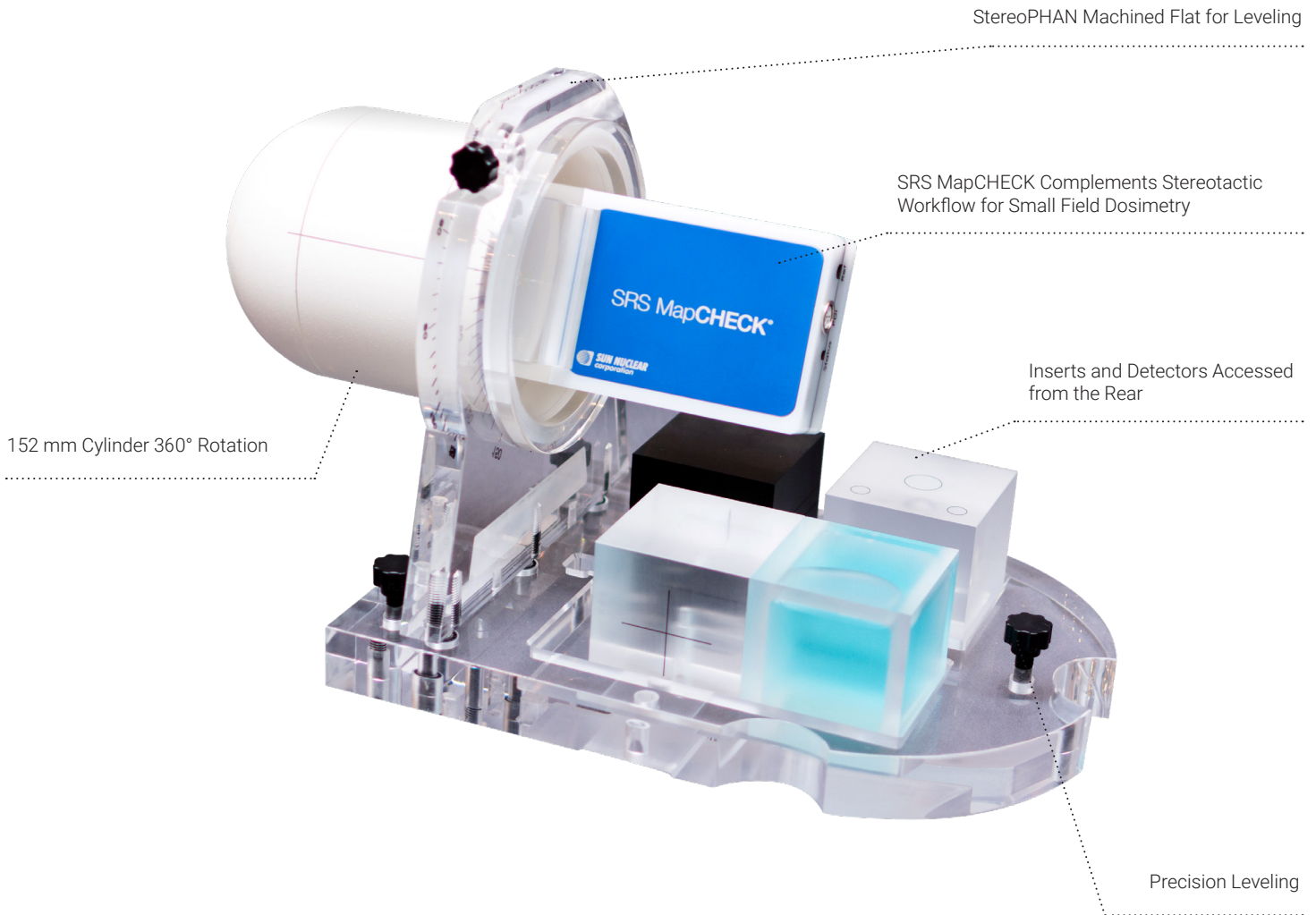
Designed for Stereotactic Applications

- Array size: 77 mm x 77 mm
- 1,013 total SunPoint™ II Diode Detectors in array
 - 5 diodes in 5 mm cone
- Measures field sizes as small as 5 mm



SRS MapCHECK & StereoPHAN

Designed to work together



SRS MapCHECK Specifications

Detector Type:	SunPoint® II Diode Detectors
Detector Quantity:	1,013
Detector Spacing (mm):	2.47
Active Detector Area (mm x mm):	0.48 x 0.48
Array Size (mm):	77 x 77

StereoPHAN Specifications

Material:	Polymethyl methacrylate (PMMA)
Weight (including all inserts):	11.1 kg (24.6 lbs)
Measurement cubes (mm):	85 x 85 x 85
Dimensions - L x W x H (mm):	518 x 276 x 323